

■ GARAGE EQUIPMENT

Get the practical devices for daily works in the garage from UMETA as well!

We offer you the complete programme of handling systems, such as suction and filling devices, or fully equipped grease gun carrying cases, e. g.



■ SUCTION GUNS

Suction Guns are practical and reliable devices for suction and delivery of oils and high-viscosity grease. They stand out by their ergonomic handle, robust design, and they are easy to operate.

For an optimal sealing effect, they are always equipped with a double sleeve. Here, too, we carry a complete accessories programme, e. g. connection nozzle tubes and flexible hoses.



Type 2



barrel version	made of zinc-plated steel
	Ø 42 mm (1.65")
barrel length	260 mm (10.2")
suitable	for oil and high-viscosity grease
filling capacity	250 ccm (8.75 oz.)
connection thread	M 10 x 1

Connection	Ref. No.:
M 10 x 1	7222143

Suction Gun

- for a 250 ccm content

packed in	polybag or bulk
weight	440 g (15.5 oz.) + accessories and packaging
dimensions	42 x 290 mm (1.65" x 11.4")

Type 3



barrel version	zinc-plated steel, yellow passivated
	Ø 50 mm (2.0")
barrel length	295 mm (11.6")
suitable	for oil and high-viscosity grease
filling capacity	500 ccm (17.5 oz.)
connection thread	M 10 x 1

Connection	Ref. No.:
M 10 x 1	7233113

Suction Gun

- for a 500 ccm content

packed in	polybag or bulk
weight	560 g (19.8 oz.) + accessories and packaging
dimensions	56 x 350 mm (2.2" x 13.8")

Type 4



barrel version	zinc-plated steel, yellow passivated
	Ø 56 mm (2.2")
barrel length	446 mm (17.6")
suitable	for oil and high-viscosity grease
filling capacity	1,000 ccm (35.0 oz.)
connection thread	M 13 x 1

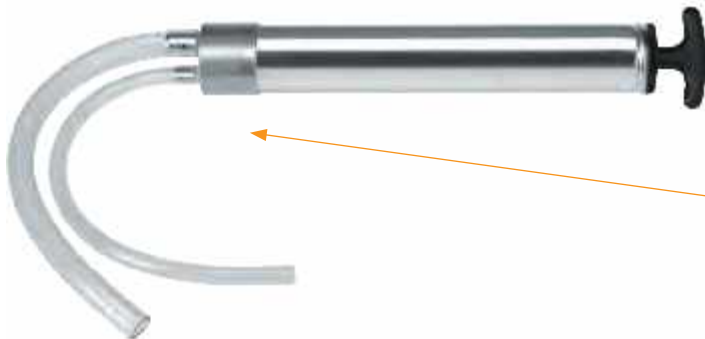
Connection	Ref. No.:
M 13 x 1	7244313

Suction Gun

- for a 1,000 ccm content

packed in	polybag or bulk
weight	1,065 g (37.6 oz.) + accessories and packaging
dimensions	61 x 530 mm (2.4" x 20.9")

Type 2/V



barrel version	made of zinc-plated steel
	Ø 42 mm (1.65")
barrel length	270 mm (10.6")
suitable	for oil and high-viscosity grease
filling capacity	250 ccm (8.75 oz.)

	Ref. No.:
	7212443

Suction Gun with reversing valve

- for a 250 ccm content



The reversing valve of type 2/V allows for most simple transfer of liquids from one container to another.

packed in	polybag or bulk
weight	580 g (20.5 oz.) + packaging
dimensions	42 x 360 mm (1.65" x 14.2")

Filling cylinder



barrel version	made of zinc-plated steel
	Ø 56 mm (2.2")
barrel length	370 mm (14.6")
suitable	for grease and high-viscosity grease
filling capacity	400 g (14.0 oz.) grease cartridge / 500 ccm (17.5 oz.) bulk grease

	Ref. No.:
	5556010

for central lubrication systems

- for fast filling of central lubrication systems with grease and high-viscosity grease
- suitable for bulk grease and for grease cartridges of 400 g

packed in	polybag or bulk
weight	960 g (33.9 oz.) + packaging
dimensions	64 x 460 mm (2.5" x 18.1")

ACCESSORIES FOR SUCTION GUNS

UMETA's high quality suction gun accessories let you handle any job easily!



SDF

SDF 10



SDF 13



transparent, flexible hose

· for decanting fluid contents

Type	Connection	Total length	Ref. No.:
SDF 10	M 10 x 1	300 mm (11.8")	7277113

Type	Connection	Total length	Ref. No.:
SDF 13	M 13 x 1	300 mm (11.8")	7277313

SDK

SDK 10



SDK 13



Nozzle tube

· bent

Type	Connection	Total length	Ref. No.:
SDK 10	M 10 x 1	190 mm (7.5")	7265113

Type	Connection	Total length	Ref. No.:
SDK 13	M 13 x 1	250 mm (9.8")	7266313

SDG

SDG 10



SDG 13



Nozzle tube

· straight

Type	Connection	Total length	Ref. No.:
SDG 10	M 10 x 1	190 mm (7.5")	7255113

Type	Connection	Total length	Ref. No.:
SDG 13	M 13 x 1	250 mm (9.8")	7256313

OTHER GARAGE EQUIPMENT

UMETA TWIN-LOCK® Ultra Case Kit



The complete lubricating equipment in a handy carrying case, which contains everything you need for any application, especially our **UMETA TWIN-LOCK® Ultra Grease Gun 75/PKU according to DIN 1283**. The carrying case kit comes with the practical UMETA hose parking unit. The grease gun can be hung up by the provided wall bracket, and is thus always at hand.

UMETA TWIN-LOCK® Ultra Grease Gun 75/PKU

Top model, which combines quality, function and design.

- for 400 g (14.0 oz.) grease cartridge / 500 ccm (17.5 oz.) bulk grease
- ergonomic grips made of anti-slip material
- filler valve, DIN 1283 included
- with TWIN-LOCK system and EVER-FLOW system

Accessories kit, consisting of:

- high pressure hose 340/GLN
- nozzle tube 110/G
- hydraulic coupler 515/G-4
- quick-adapter, as short version 200/M 4, 200/M 1, 200/M 22, 200/S, 200/XS
- grease nipple assortment 60s, each 5 pcs. H1/H2/H3 6 x 1, 8 x 1, 10 x 1, R 1/8
- grease cartridge 400 g
- hose parking unit at hand lever
- wall bracket

Connection	Packaging	Scope of delivery	Ref. No.:
M 10 x 1	carrying case	complete accessories	6900096
G 1/8	carrying case	complete accessories	6900098

	Ref. No.:
case without content	6900095

Portable Lubrication System CARRY-LUBE



- hand- or foot operated high pressure equipment
- for 2.5 kg grease bucket (diameter 160 mm)
- adjustable for greasing with high volume or high pressure
- with high-pressure grease gun up to 690 bar / 10,000 PSI
- connected with 1.5 m hose
- capable for approx. 30 high pressure shots

suitable for length of suction tube output	grease up to NLGI 2 150 mm (5.9") max. 1.25 g (0.044 oz.) per shot (approximately 30 shots per loading)	packed in gross weight net weight dimensions (L x W x H)	single carton box 4,330 g 4,030 g 200 x 215 x 460 mm
operating pressure	max. 690 bar (10,000 PSI)		

Packaging	Ref. No.:
cardboard box	9626825



UMETA Filling Device for Grease Guns

All grease guns with a DIN filler valve can be filled from the bucket easily and safely by the inclined filling coupler. With variable screw-on features, the filling devices work with all common bucket sizes. The loose lid protects against dirt and grime and serves for simple control of filling height at the same time.

delivery capacity	30 ccm (1.1 oz.)/stroke	packed in	cardboard box
operating pressure	8 bar / 1.2 PSI	weight	in kgs, incl. packaging

Content grease bucket	Grease Bucket Ø	Bucket height max. in mm (inches)	Weight in kgs	Dimensions (L x W x H) in mm	Ref. No.:
5 kg	180 – 210 mm	510 (20")	3.8	670 x 420 x 100	7591783
10 kg	210 – 240 mm	510 (20")	3.9	670 x 420 x 100	7591883
15 kg	240 – 270 mm	510 (20")	4.3	670 x 420 x 100	7591483
20 kg	270 – 310 mm	510 (20")	4.8	670 x 420 x 100	7591983
25 kg	310 – 335 mm	680 (26.8")	5.4	670 x 420 x 100	7591583
50 kg	335 – 385 mm	680 (26.8")	6.5	800 x 420 x 100	7591683



UMETA Handlever Oil Barrel Pump (steel tube)

- with telescopic tube and steel discharge elbow
- for 60/200/220 ltr. drums
- suitable for motor, hydraulic, and gear oil, diesel, petroleum, heating oil, waste oil

suitable for	motor, hydraulic, and gear oils up to SAE 50	total height	1,250 mm (49.2")
tube type	made of zinc-plated steel	total width	520 mm (20.5")
length/dip depth	440 – 860 mm (17.3" - 33.9")	net weight	1,800 g (63.5 oz.)
tube Ø	25 – 35 mm (1.0" x 1.4")	packed in	cardboard box
drum thread	2"	gross weight	1,900 g (67 oz.)
delivery capacity	16 ltr. (541 oz.)/min. 300 ccm (10.1 oz.)/stroke	dimensions (L x W x H)	460 x 140 x 70 mm (18.1 x 5.5 x 2.75")

Packaging	Ref. No.:
cardboard box	9626830



UMETA Rotary Oil Barrel Pump

- with steel tube and steel discharge elbow
- for 60/200/220 ltr. drums
- comes with: 1 m PVC hose with fold protection spring, 2 hose clamps

tube type	made of zinc-plated steel	total width	210 mm (8.3")
length/dip depth	980 mm (38.6")	net weight	4,800 g (169 oz.)
tube Ø	25 – 35 mm (1.0" x 1.4")	packed in	cardboard box
drum thread	2"	weight	4,900 g (173 oz.)
delivery capacity	35 ltr. (1,183 oz.)/min.	dimensions (L x W x H)	360 x 160 x 130 mm (14.2 x 6.3 x 5.1")
total height	1,250 mm (49.2")		

Packaging	Ref. No.:
cardboard box	9626820

UMETA Oil Cans *



Stand out for the following advantages:

- precision double-pumping system made of brass
- high pressure performance
- large filling hole
- red stove enamelling
- easy to disassemble, therefore, easy to clean
- enormously stable due to large bottom
- packed: 12 pcs. per size in cardboard box

Type	Nominal content	Connection	Net weight	Ref. No.:
K 200 flex	200 ml	flexible hose	195 g	7522224
K 300 flex	300 ml	flexible hose	215 g	7523224
K 500 flex	500 ml	flexible hose	235 g	7525224

Oil Measuring Cans *



- made of especially stable red/ecru polyamide
- available in different sizes

Please note our packing units!

Size	Packing unit	Ref. No.:
0.5 ltr.	15 pcs.	9626700
1.0 ltr.	15 pcs.	9626701
2.0 ltr.	10 pcs.	9626702
5.0 ltr.	4 pcs.	9626705



The flexible spout is available for all different can sizes and facilitates filling without additional funnel use.

Size	Packing unit	Ref. No.:
1.0, 2.0 + 3.0 ltr.	loose packaging	9626708

Measuring Cups *



- made of transparent polyamide
- available in different sizes
- embossed labelling

Please note our packing units!

Size	Packing unit	Ref. No.:
0.25 ltr.	25 pcs.	9626725
0.5 ltr.	16 pcs.	9626800
1.0 ltr.	12 pcs.	9626801
2.0 ltr.	12 pcs.	9626802
3.0 ltr.	10 pcs.	9626803
5.0 ltr.	5 pcs.	9626805

* We reserve to modify colour and form.

Funnels *

Funnels made of especially stable red polyamide, available in different sizes and kits. The funnels are available both with and without filter screen, partially equipped with flexible plastics or brass hose, or a bent plastics tube, respectively.

Please note our packing units!

Type	Size (in mm)	Packing unit	Ref. No.:
kit of 4	Ø 60/80/100/120	10 pcs.	9626103
one size	Ø 100	12 pcs.	9626109
one size	Ø 140	12 pcs.	9626140

Type	Size (in mm)	Packing unit	Ref. No.:
with filter and flex hose, polyamide	Ø 210	12 pcs.	9626396

Other versions upon request.

Washing tub, 6.0 ltr. *

· made of especially stable red polyamide

Packing unit	Ref. No.:
6 pcs.	9626810

UMETA grease cartridges according to DIN 1284 *

filling quantity	400 g/14.0 oz.
thaw point	180 °C/356 °F
NLGI class	2
packing unit	24 pcs.

Packing unit	Ref. No.:
24 pcs.	7371953

Super lithium multipurpose grease

- cartridge according to DIN 1284
- suitable for lubricating normally strained bearings
- suitable for all grease guns according to DIN 1283
- universally applicable

application temperature	-30 °C/ -22 °F
upon permanent operation	up to +120 °C/ 248 °F
temporarily	up to +130 °C/266 °F

* We reserve to modify colour and form.