

## Type M4

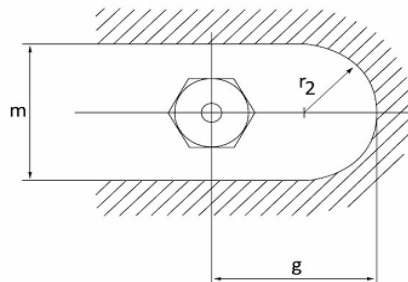
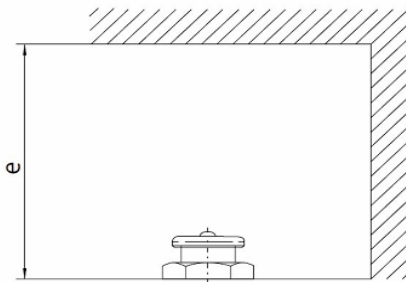
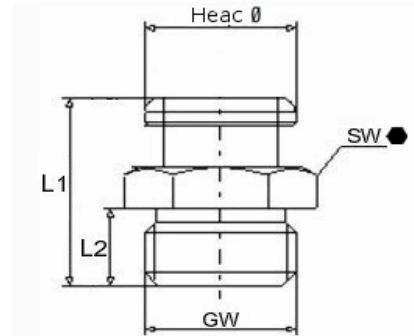


## Button-Head Grease Nipples

- head Ø 10 mm
- according to DIN 3404
- straight version A/180°
- standard versions according to DIN are made of steel, zinc-plated and passivated, with cylindrical thread
- for other types and materials, please see table, or upon request

GW thread  
L1 overall length  
L2 thread length  
SW HEX size

(all measures in mm,  
thread metric or in inches)



Instructions for installation: necessary space			
e =	50 mm/2-11/64"	r =	14 mm/41/64"
m =	26 mm/1-17/64"	g =	30 mm/1-25/64"

GW			M 6 x 1.0			
			Ref.- No.:			
L1	L2	SW	Steel	Brass	SST303	SST316L
13,5	6	11mm HEX	4201104			

GW			M 8 x 1.0			
			Ref.- No.:			
L1	L2	SW	Steel	Brass	SST303	SST316L
13,5	6	11mm HEX	4201107			

GW			M 10 x 1.0			
			Ref.- No.:			
L1	L2	SW	Steel	Brass	SST303	SST316L
13,5	6	11mm HEX	4201109			

GW			G 1/8, 1/8 - 28 BSPP			
			Ref.- No.:			
L1	L2	SW	Steel	Brass	SST303	SST316L
13,5	6	11mm HEX	4201161		4221161	