

■ **UMETA Button-Head Grease Nipples**

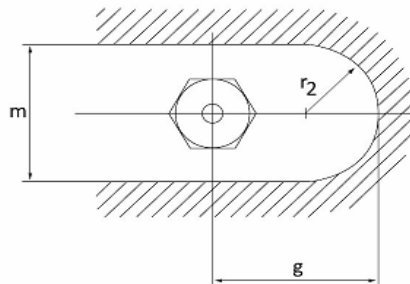
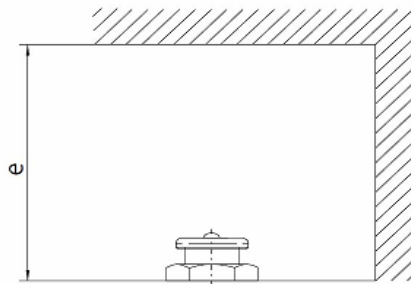
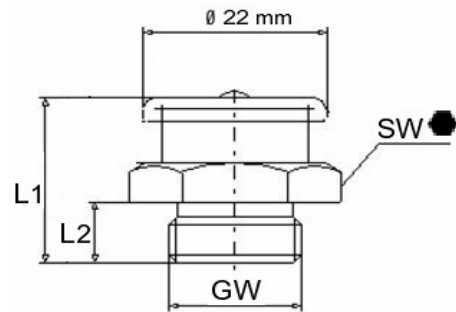
**Type M22**



- head Ø 22 mm
- according to DIN 3404
- straight version A/180°
- standard versions according to DIN are made of steel, zinc-plated and passivated, with cylindrical thread
- for other types and materials, please see table, or upon request

GW thread  
L1 overall length  
L2 thread length  
SW HEX size

(all measures in mm, thread metric or in inches)



Instructions for installation: necessary space			
e =	60 mm/2-3/8"	r =	18 mm/23/32"
m =	36 mm/1-27/64"	g =	45 mm/1-25/32"

GW		M 10 x 1.0		Ref.- No.:			
L1	L2	SW		Steel	Brass	SST303	SST316L
23,5	9,5	22mm HEX	●	4302210			

GW		M 16 x 1.5		Ref.- No.:			
L1	L2	SW		Steel	Brass	SST303	SST316L
21,5	8	22mm HEX	●	4302219	4312219	4322219	

GW		G 1/4, 1/4 - 19 BSPP		Ref.- No.:			
L1	L2	SW		Steel	Brass	SST303	SST316L
21,5	8	22mm HEX	●	4302262	4312262	4322262	



<b>GW</b>		<b>G 3/8, 3/8 - 19 BSPP</b>					
				<b>Ref.- No.:</b>			
<b>L1</b>	<b>L2</b>	<b>SW</b>		<b>Steel</b>	<b>Brass</b>	<b>SST303</b>	<b>SST316L</b>
21,5	8	22mm HEX	●	4302263	4312263	4322263	

<b>GW</b>		<b>G 1/2, 1/2 - 14 BSPP</b>					
				<b>Ref.- No.:</b>			
<b>L1</b>	<b>L2</b>	<b>SW</b>		<b>Steel</b>	<b>Brass</b>	<b>SST303</b>	<b>SST316L</b>
21,5	8	22mm HEX	●	4302264			