

## ■ Type H3

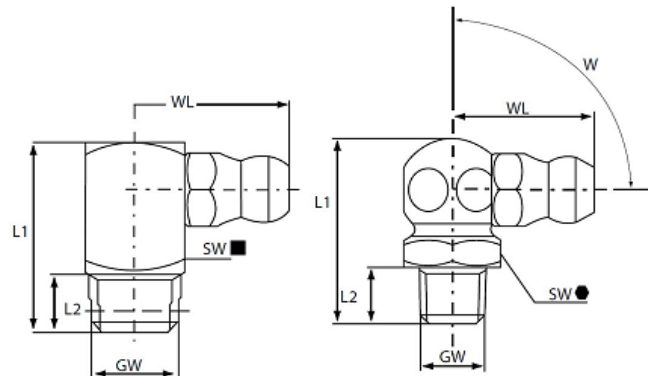


### Hydraulic-Type Grease Nipples

- according to DIN 71412
- angled version C/90°
- standard versions according to DIN are made of steel, zinc-plated and passivated, head case-hardened
- with tapered thread
- for other types and materials, please see table, or upon request

GW thread  
L1 overall length  
L2 thread length  
WL angle length  
W angle  
SW HEX size

(all measures in mm,  
thread metric or in inches)



GW	M 5 x 0.8				Ref.- No.:			
L1	L2	WL	W	SW	Steel	Brass	SST303	SST316L
18	5,5	13	90°	9mm HEX	●	1300901		

GW	M 6 x 0.75				Ref.- No.:			
L1	L2	WL	W	SW	Steel	Brass	SST303	SST316L
18	5,5	14	90°	9mm SQ.	■	1304503		
18	5,5	13	90°	9mm HEX	●	1300903		

GW	M 6 x 1.0				Ref.- No.:			
L1	L2	WL	W	SW	Steel	Brass	SST303	SST316L
18	5,5	14	90°	9mm SQ.	■	1304504		
18	5,5	13	90°	9mm HEX	●	1300904	1310904	1320904 1341630

GW	M 7 x 1.0				Ref.- No.:			
L1	L2	WL	W	SW	Steel	Brass	SST303	SST316L
18	5,5	13	90°	9mm HEX	●	1300905		

GW	M 8 x 0.75				Ref.- No.:			
L1	L2	WL	W	SW	Steel	Brass	SST303	SST316L
18	5,5	13	90°	9mm HEX	●	1300906		

GW	M 8 x 1.0				Ref.- No.:			
L1	L2	WL	W	SW	Steel	Brass	SST303	SST316L
18	5,5	13	90°	9mm HEX	●	1300907	1310907	1320907 1340907
18	5,5	14	90°	9mm SQ.	■	1304507		

GW		M 8 x 1.25			Ref.- No.:			
L1	L2	WL	W	SW	Steel	Brass	SST303	SST316L
18	5,5	14	90°	9mm SQ.	■	1304508		
18	5,5	13	90°	9mm HEX	●	1300908	1310908	1320908

GW		M 10 x 1.0			Ref.- No.:			
L1	L2	WL	W	SW	Steel	Brass	SST303	SST316L
18	5,5	15	90°	11mm SQ.	■	1304709		
42	7	15	90°	11mm SQ.	■	5242092		
20	5,5	14	90°	11mm HEX	●	1301109	1311109	1321109 1341109

GW		M 10 x 1.25			Ref.- No.:			
L1	L2	WL	W	SW	Steel	Brass	SST303	SST316L
20	5,5	14	90°	11mm HEX	●	1301110		

GW		M 10 x 1.5			Ref.- No.:			
L1	L2	WL	W	SW	Steel	Brass	SST303	SST316L
20	5,5	14	90°	11mm HEX	●	1301111		1321111

GW		M 12 x 1.0			Ref.- No.:			
L1	L2	WL	W	SW	Steel	Brass	SST303	SST316L
22	6,5	14	90°	14mm HEX	●	1301412		

GW		M 12 x 1.5			Ref.- No.:			
L1	L2	WL	W	SW	Steel	Brass	SST303	SST316L
22	6,5	14	90°	14mm HEX	●	1301414		

GW		M 12 x 1.75			Ref.- No.:			
L1	L2	WL	W	SW	Steel	Brass	SST303	SST316L
22	6,5	14	90°	14mm HEX	●	1301415		1341415

GW		M 14 x 1.5			Ref.- No.:			
L1	L2	WL	W	SW	Steel	Brass	SST303	SST316L
22	6,5	14	90°	14mm HEX	●	1301417		

GW		M 14 x 2.0			Ref.- No.:			
L1	L2	WL	W	SW	Steel	Brass	SST303	SST316L
22	6,5	14	90°	14mm HEX	●	1301419		

GW		R 1/8, 1/8 - 28 BSP			Ref.- No.:			
L1	L2	WL	W	SW	Steel	Brass	SST303	SST316L
18	5,5	15	90°	11mm SQ.	■	1304756		
20	5,5	14	90°	11mm HEX	●	1301156	1311156	1321156 1341156
42	7	15	90°	11mm SQ.	■	5242093		

GW		R 1/4, 1/4 - 19 BSP			Ref.- No.:			
L1	L2	WL	W	SW	Steel	Brass	SST303	SST316L
22	6,5	14	90°	14mm HEX	●	1301457	1311457	1321457 1341457

GW		R 3/8, 3/8 - 19 BSP			Ref.- No.:			
L1	L2	WL	W	SW	Steel	Brass	SST303	SST316L
20	7	19	90°	17mm HEX	●	1301758		

GW 1/8" - 27 NPT/PTF					Ref.- No.:			
L1	L2	WL	W	SW	Steel	Brass	SST303	SST316L
18	5,5	15	90°	11mm SQ.	1304767			

GW 1/4" - 18 NPT/PTF					Ref.- No.:			
L1	L2	WL	W	SW	Steel	Brass	SST303	SST316L
22	6,5	14	90°	14mm HEX	1301468			

GW 1/4" - 26 BSF					Ref.- No.:			
L1	L2	WL	W	SW	Steel	Brass	SST303	SST316L
18	5,5	13	90°	9mm HEX	1300944	1310944	1320944	

GW 1/4" - 28 NF/UNF/SAE					Ref.- No.:			
L1	L2	WL	W	SW	Steel	Brass	SST303	SST316L
18	5,5	13	90°	9mm HEX	1300937	1310937	1320937	

GW 1/4" BSW					Ref.- No.:			
L1	L2	WL	W	SW	Steel	Brass	SST303	SST316L
18	5,5	13	90°	9mm HEX	1300950		1320945	

GW 5/16" - 22 BSF					Ref.- No.:			
L1	L2	WL	W	SW	Steel	Brass	SST303	SST316L
18	5,5	13	90°	9mm HEX	1300945			

GW 5/16" - 24 NF/UNF/SAE					Ref.- No.:			
L1	L2	WL	W	SW	Steel	Brass	SST303	SST316L
18	5,5	13	90°	9mm HEX	1300938			

GW 5/16" BSW					Ref.- No.:			
L1	L2	WL	W	SW	Steel	Brass	SST303	SST316L
18	5,5	13	90°	9mm HEX	1300951			

GW 3/8" - 18 NPT/PTF					Ref.- No.:			
L1	L2	WL	W	SW	Steel	Brass	SST303	SST316L
20	7	19	90°	17mm HEX	1301760			

GW 3/8" - 20 BSF					Ref.- No.:			
L1	L2	WL	W	SW	Steel	Brass	SST303	SST316L
20	5,5	14	90°	11mm HEX	1301146			

GW 3/8" - 24 NF/UNF/SAE					Ref.- No.:			
L1	L2	WL	W	SW	Steel	Brass	SST303	SST316L
20	5,5	14	90°	11mm HEX	1301139			

GW 3/8" BSW					Ref.- No.:			
L1	L2	WL	W	SW	Steel	Brass	SST303	SST316L
20	5,5	14	90°	11mm HEX	1301152			

GW 1/2" - 20 UNF/NF/SAE					Ref.- No.:			
L1	L2	WL	W	SW	Steel	Brass	SST303	SST316L
22	6,5	14	90°	14mm HEX	1301440			