

■ BUTTON-HEAD GREASE NIPPLES - SPECIAL DESIGNS

The following types are representing only the most commonly used special-type nipples. For individual applications, UMETA manufactures button-head grease nipples with special equipment in other versions, with respect to the following:

- dimension
- material
- thread size
- thread form (e. g. with tapered thread)
- length
- etc.



Button head grease nipple with check valve

Type M1 or Type M22



- Type M1, head-Ø 16 mm or
Type M22, head-Ø 22 mm
- straight version A/180°
- made of steel, zinc-plated and passivated,
with tapered thread
- as high-pressure version with pin valve upon request

APPLICATION AREA

Due to the special check valve, the lubricating point will be sealed hermetically after the greasing operation.

As a result, internal impulse-like pressures up to 1.000 bar (14,500 PSI) can be attained, depending on the respective application.

Particularly suitable for the
Heavy Industry, Heavy Vehicle Industry.

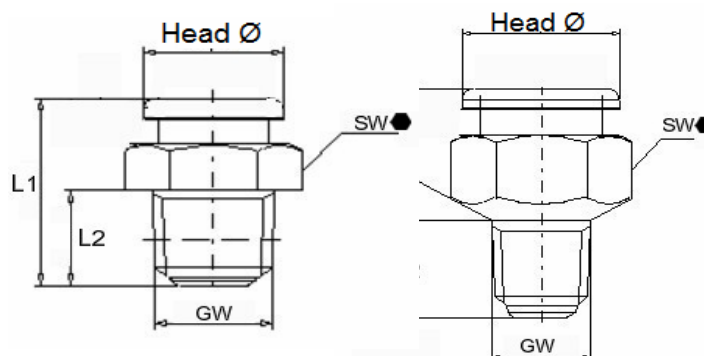
OPERATING INSTRUCTIONS

ATTENTION! During dismantling, utmost caution is required because of the possible pressure load.

Dismantling should be done by experienced personnel only!

GW thread
L1 overall length
L2 thread length
W angle
SW HEX size

(all measures in mm,
thread metric or in inches)



GW M 16 x 1.5

						Ref.- No.:			
L1	L2	W	Type	SW		Steel	Brass	SST303	SST316L
32	12		M 22	22mm HEX	●	5240013			
70	20		M 1	22mm HEX	●	5240020			

GW R 1/4, 1/4 - 19 BSP

						Ref.- No.:			
L1	L2	W	Type	SW		Steel	Brass	SST303	SST316L
22,5	11,5		M 1	17mm HEX	●	5376214			

GW G 3/8, 3/8 - 19 BSPP

						Ref.- No.:			
L1	L2	W	Type	SW		Steel	Brass	SST303	SST316L
23	13		M 1	17mm HEX	●	5376314			
33	13	60°	M 22	22mm HEX	●	5240048			

GW 1/4" - 18 NPTF

						Ref.- No.:			
L1	L2	W	Type	SW		Steel	Brass	SST303	SST316L
21	10,7		M 1	17mm HEX	●	5240046			
35	15	30°	M 22	22mm HEX	●	5240061			

GW 3/8" - 18 NPT/PTF

						Ref.- No.:			
L1	L2	W	Type	SW		Steel	Brass	SST303	SST316L
33	14	60°	M 22	22mm HEX	●	5240062			

GW 1/2" - 14 NPT

						Ref.- No.:			
L1	L2	W	Type	SW		Steel	Brass	SST303	SST316L
29	13		M 22	22mm HEX	●	5240063			
41,5	19	60°	M 22	22mm HEX	●	5240009			

Button-head grease nipple with screwable protection cap

Type M1



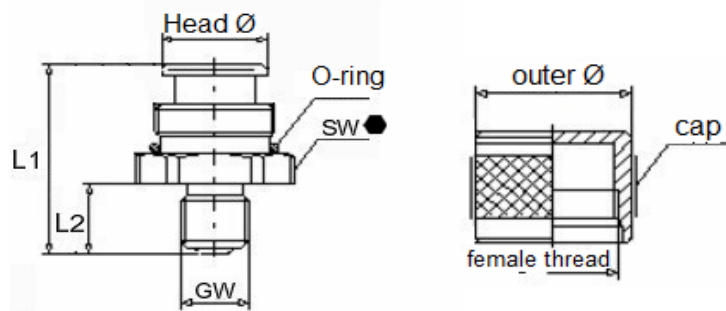
- head Ø 16 mm
- straight version A/180°
- with o-ring for sealing against dust and humidity
- with cylindrical thread

APPLICATION AREA

For additional locking against internal pressure and as protection against contamination.
Particularly suitable for plant engineering valves and for exposed lubricating points.

GW thread
 L1 overall length
 L2 thread length
 SW HEX size

(all measures in mm,
 thread metric or in inches)



GW M 10 x 1.0

				Ref.- No.:			
L1	L2	SW		Steel	Brass	SST303	SST316L
31	11,5	22mm HEX	●	5544057		5544053	

GW M 12 x 1.5

				Artikel-Nr.:			
L1	L2	SW		Stahl	Brass	V2A	V4A
31	11,5	22 mm/6kant	●	5544056			

GW R 1/4, 1/4 - 19 BSP

				Ref.- No.:			
L1	L2	SW		Steel	Brass	SST303	SST316L
31	11,5	22mm HEX	●	5544054			

Button head grease nipple with extension

Type M1

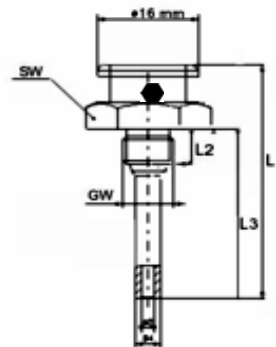


- head Ø 16 mm
- straight version A/180°
- made of steel, zinc-plated and passivated
- head hardened according to DIN with cylindrical thread
- with press-fitted extension for exact grease flow

APPLICATION AREA

For deep seated lubrication points, which can be serviced sufficiently through the extension, e. g. for drive shafts.

GW thread
 L1 overall length
 L2 thread length
 L3 installation depth
 SW HEX size



(all measures in mm,
 thread metric or in inches)

GW M 8 x 1.0

				Ref.- No.:			
L1	L2	L3	SW	Steel	Brass	SST303	SST316L
40	6	23	17mm HEX	●	5240067		